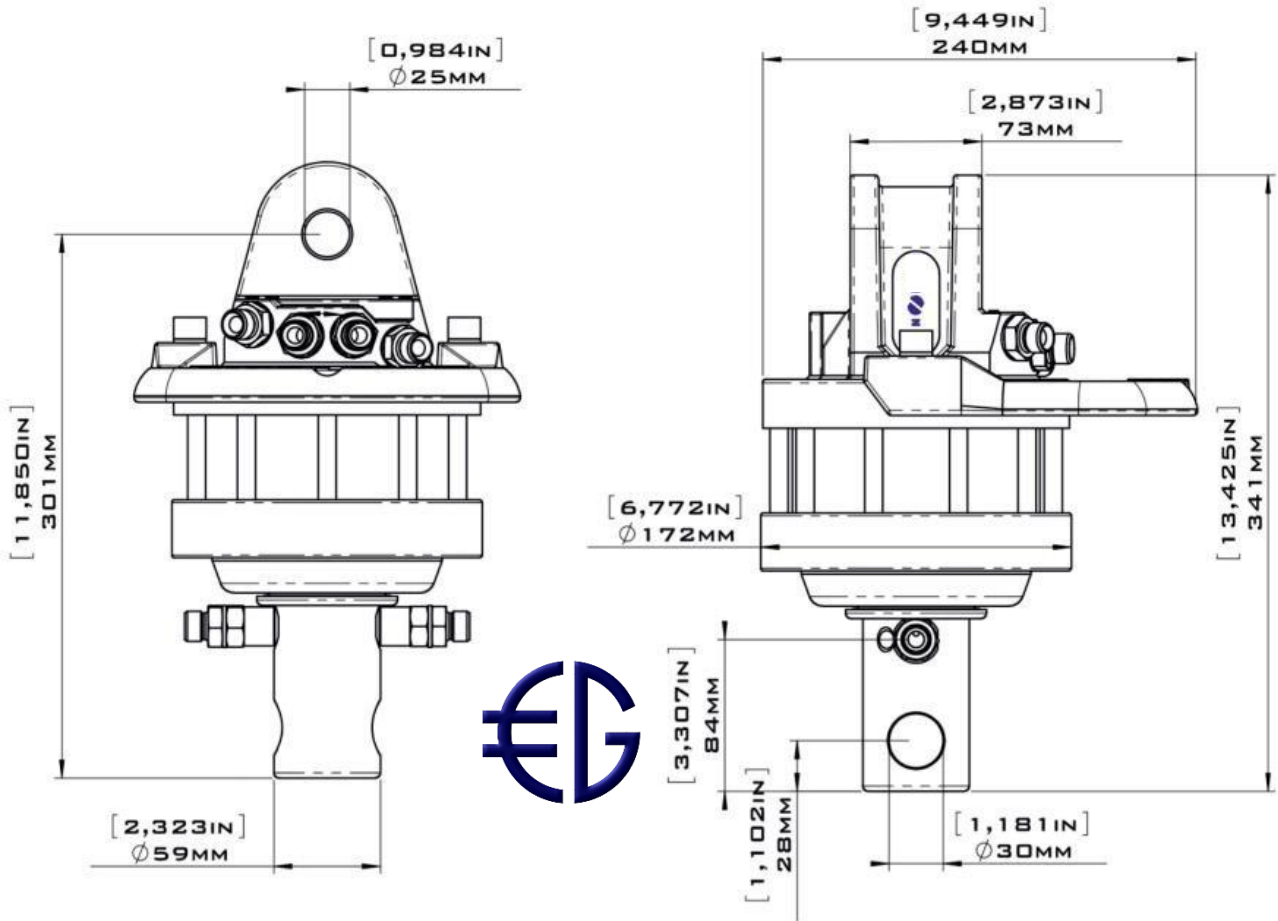


ROTATOR EGR 50



ROTATION ANGLE	MAX PRESSURE (R)	MAX PRESSURE (GO)	MAX PRESSURE (GC)	DISPLACEMENT	TORQUE
	Bar	Bar	Bar	Cm ³	Nm
UNLIMITED	250	200	300	420	900
MAX AXIAL LOAD STATIC	MAX AXIAL LOAD DYNAMIC	WEIGHT		CONNECTIONS	REQ. OIL FLOW
kN	kN	Kg			Lpm
50	25	25		G 3/8"	20

